

Allin-1 Projector Mount



ASSEMBLY

Ships completely pre-assembled for convenience

ADJUSTABLE HEIGHT

Min: 1.21" (31 mm); Max: 2.14" (54 mm)

PITCH

+5° / -20°

ROLL

±10°

SWIVEL

360° (with extension column)

30° swivel (when flush mounted)

SHIPPING DIMENSIONS (L x W x H)

12.25" x 6.25" x 3.25"

WEIGHT/SHIP WEIGHT

2.6 lb (1.2 kg)

SECURITY

Armor Lock™ (at every connection point)

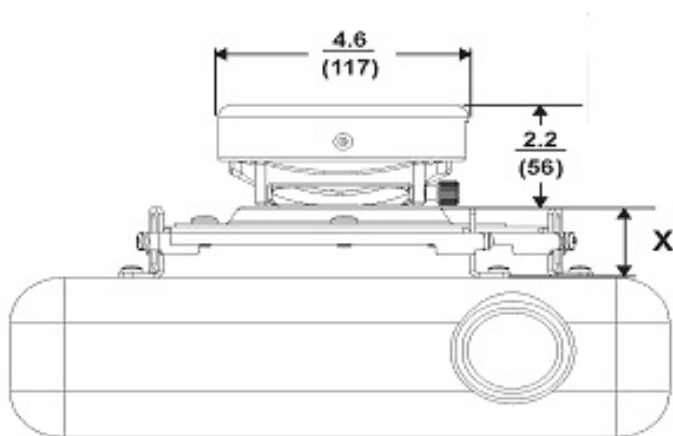


Universal mount

Quick-release for easy projector removal and maintenance.
Comes with hardware for installation to wood joist or concrete.
Easy cord management via access opening.
Secured with Armor Lock™ at every connection point.

OPTIONAL ACCESSORIES

Ceiling Mount Suspension Pole
Ceiling Round Flush Mount Kit



Inches
(Millimeters)

X: Adjustable Height

MAXIMUM LOAD CAPACITY

25 lb (11.3 kg)

SHIPS WITH

Allin-1 Projector Mount

Adaptor Plate

Concrete Anchor x 2

Pin Screws x 20 (various sizes)

Washers x 6 (various)

Wood Screws x 2

Allen Wrench

T-Wrench

Hardware for wood joist and concrete installation

BOXLIGHT[®]
CORPORATION

19462 Powder Hill Place, Suite 101
Poulsbo, WA 98370

www.boxlight.com
Direct 800.762.5757
International 360.779.7901
Partners 866.688.3636